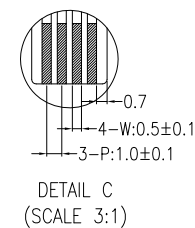
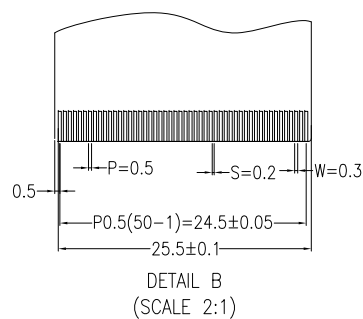
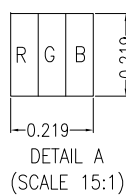
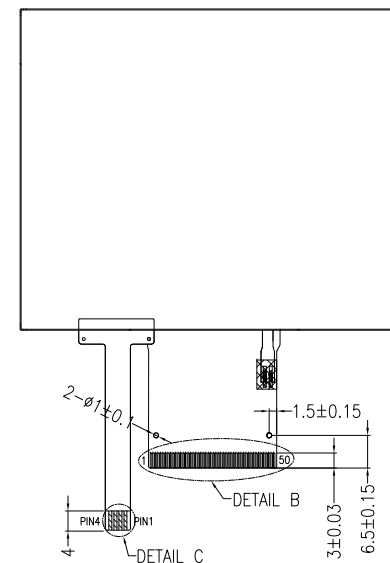
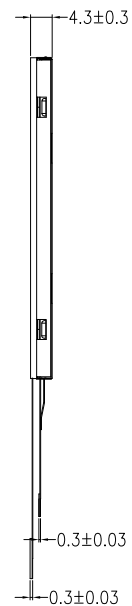
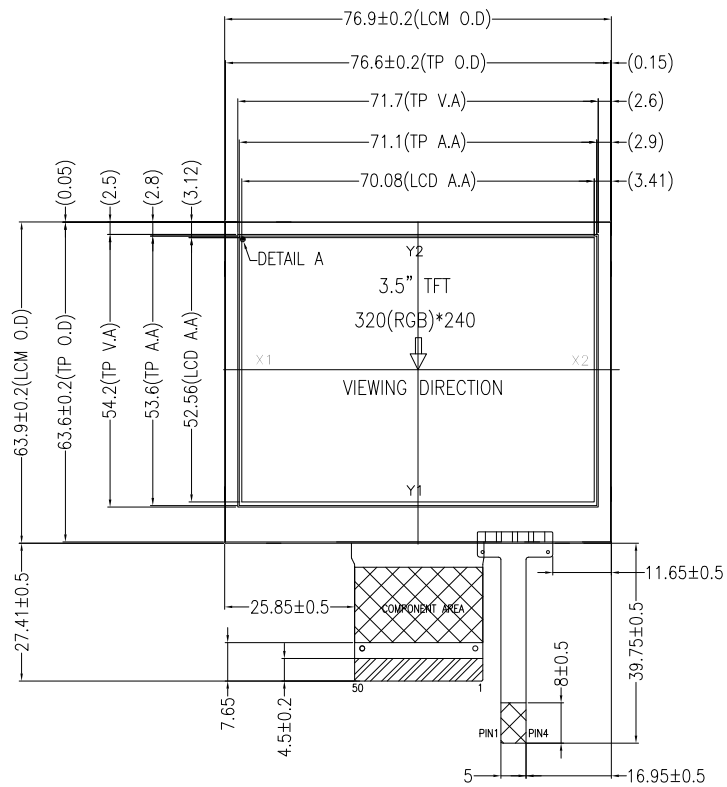


PIN DESCRIPTION FOR RTP		PIN DESCRIPTION FOR TFT	
PIN	SYMBOL	PIN	SYMBOL
1	X1	1	VCI
2	Y1	2	VCI
3	X2	3	VSS
4	Y2	4	VDDIO
		5	VSS
		6	RESET
		7	DC/SDC(RS)
		8	E/RD
		9	WR
		10	CS
		11	SCL
		12	SDO
		13	SDI
		14	WSYNC(NC)
		15	D17
		16	D16
		17	D15
		18	D14
		19	D13
		20	D12
		21	D11
		22	D10
		23	D9
		24	D8
		25	D7
		26	D6
		27	D5
		28	D4
		29	D3
		30	D2
		31	D1
		32	D0
		33	VSS
		34	DOTCLK
		35	HSYNC
		36	VSYNC
		37	OE
		38	VSS
		39	PS0
		40	PS1
		41	PS2
		42	PS3
		43	VSS
		44	NC
		45	NC
		46	NC
		47	NC
		48	VSS
		49	LEDK
		50	LEDA



BACKLIGHT CIRCUIT DIAGRAM

NOTES:

1. DISPLAY TYPE: TFT, TRANSMISSIVE, NORMALLY WHITE
2. OPERATING VOLTAGE: VCI/VDDIO=3.3V (TYP.)
3. VIEWING DIRECTION: 12 O'CLOCK
4. DRIVER IC: SSD2119
5. OPERATING TEMP.: -20°C ~ 70°C
6. STORAGE TEMP.: -30°C ~ 80°C
7. LED BACKLIGHT: 6-CHIP WHITE LED, IF=20mA, VF=19.2V
8. SURFACE LUMINANCE: 350CD/M² (TYP.)
9. TOP POLARIZER SURFACE TREATMENT: ANTI-GLARE
10. RECOMMENDED CASE OPEN AREA SHOULD BE LESS THAN MODULE V.A
11. RECOMMENDED CUSHION ADHERENT AREA: TP V.A+1.6mm
12. GENERAL TOLERANCE: ±0.2MM
13. ROHS COMPLIANT

MIT MULTI-INNO TECHNOLOGY CO., LTD.

DRAWN BY:	CAROL	2014.06.23	MODULE P/N:
CHECKED BY:			MIO350ADT-4
APPROVED BY:			SCALE : 1/1
VER.	REVISED DESCRIPTION	REVISER	DATE
01	FIRST ISSUE	CAROL	2014.06.23
			APPROVED BY:
			VERSION NO: 01
			UNIT: mm
			SHEET NO.: 1/1
			DESCRIPTION: TFT + RTP MODULE

01	FIRST ISSUE	CAROL	2014.06.23
VER.	REVISED DESCRIPTION	REVISER	DATE